

**INSTALLATION INSTRUCTIONS FOR INSTALLING AN INTERLOCK SWITCH BOX
REPLACEMENT KIT IN A NATIONAL VENDORS[®], CROWN LINE[®], SERIES CC AND CANDY
CUPBOARD MANUAL CANDY MERCHANDISER, CROWN SEVENTY TWO[®], SERIES AND GOLDEN
FURNITURE LINE CM-72 MANUAL CANDY MERCHANDISER, CROWN LINE[®], SERIES
AND CABARET 222 AND 800 MANUAL CIGARETTE MERCHANDISER AND CROWN SEVENTY TWO,
SERIES AND GOLDEN FURNITURE LINE 22M-72 MANUAL CIGARETTE MERCHANDISER
ALL EQUIPPED WITH A 550 OR 555 CHANGER**

These instructions cover the procedure for installing an Interlock Switch Box Replacement Kit in a Crown Line, Series CC and Candy Cupboard Manual Candy Merchandiser, Crown Seventy Two, Series and Golden Furniture Line CM-72 Manual Candy Merchandiser, Crown Line Series and Cabaret 222 and 800 Manual Cigarette Merchandiser and Crown Seventy Two, Series and Golden Furniture Line 22M-72 Manual Cigarette Merchandiser all equipped with a 550 or 555 Changer.

Read these instructions carefully and thoroughly before installing the Kit. Retain these instructions for part number and installation information. Kit, Part Number 222-2834, contains the following parts:

Part Number	Description	Quantity
227-1015	Interlock Switch Box Assembly	1
222-2673	Light Box Assembly	1
9900-046	No.8-32 x 1/4 RHS S/T Screw	1
222-2833	Installation Instructions	1
	* * *	

TO INSTALL THE KIT

A. PARTS REMOVAL

1. Unlock and open the Cabinet Door.
2. Disconnect the Interlock Switch Box Assembly from the Door Harness and the Changer.
3. Remove the Interlock Switch Box Assembly from the Merchandiser by removing the attaching Screw.

4. Remove the Light Bulb from the Light Box Assembly.
5. Remove the Light Box Assembly from the Cabinet Door.

B. INSTALLATION OF THE KIT

NOTE

The Light Box Assembly, included in the Kit, is not used on 72" Merchandisers.

1. Install the Light Box Assembly, Part Number 222-2673, included in the Kit, on the Cabinet Door by pushing the tabs on the Light Box Assembly into the slots on the Cabinet Door. The hole with the cut out sections for the Light Bulb on the Light Box Assembly should go toward the bottom. See Figure 1.
2. Install the Light Bulb in the bottom of the Light Box Assembly. See Figure 1.
3. Attach the Connectors on the Interlock Switch Box Assembly, Part Number 227-1015, included in the Kit to the Changer and the Door Harness. See Figure 2.
4. Attach the Interlock Switch Box Assembly to the side of the Cabinet with one No.8-32 x 1/4 Round Head Self Tapping Screw, Part Number 9900-046, included in the Kit. See Figure 2.
5. Close and lock the Cabinet Door.

FIGURE 2

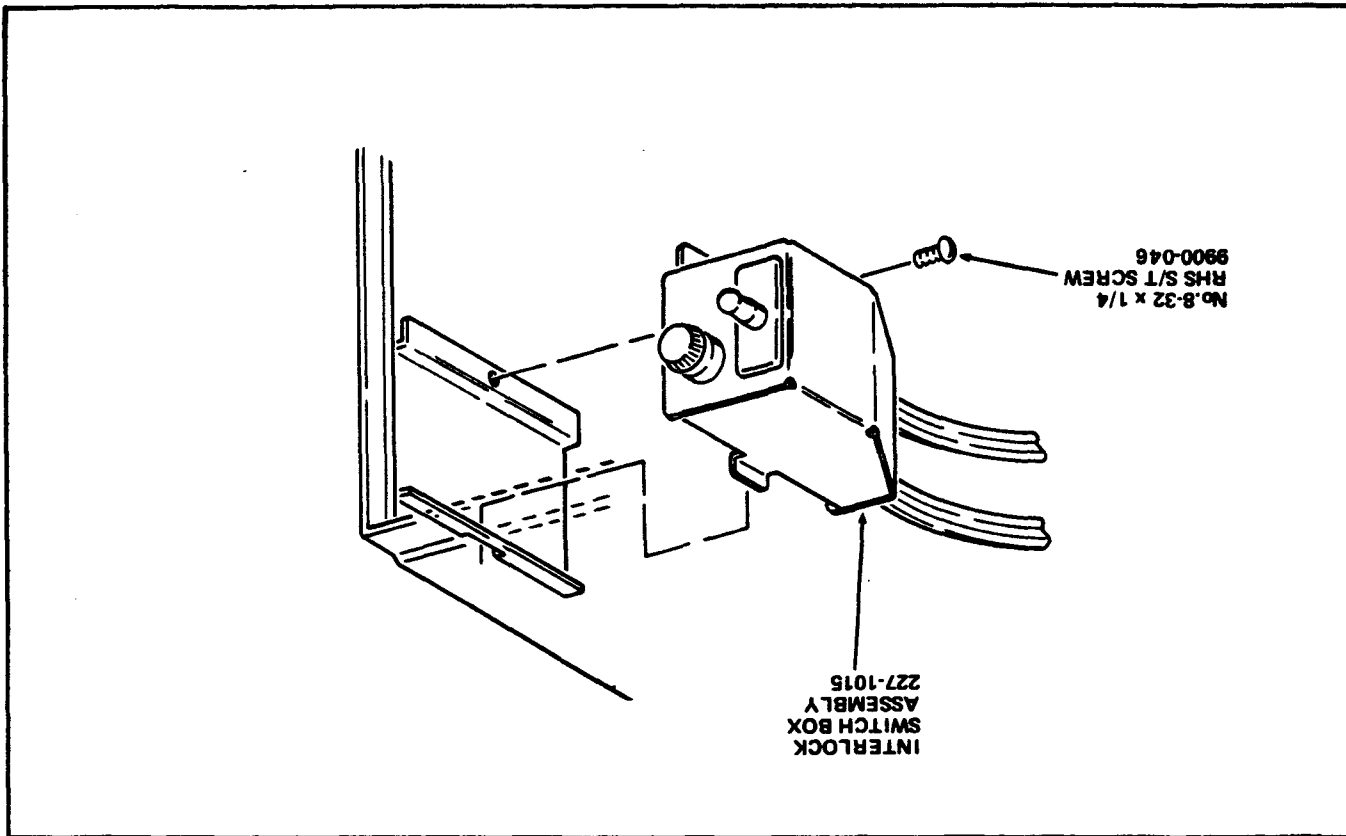


FIGURE 1

